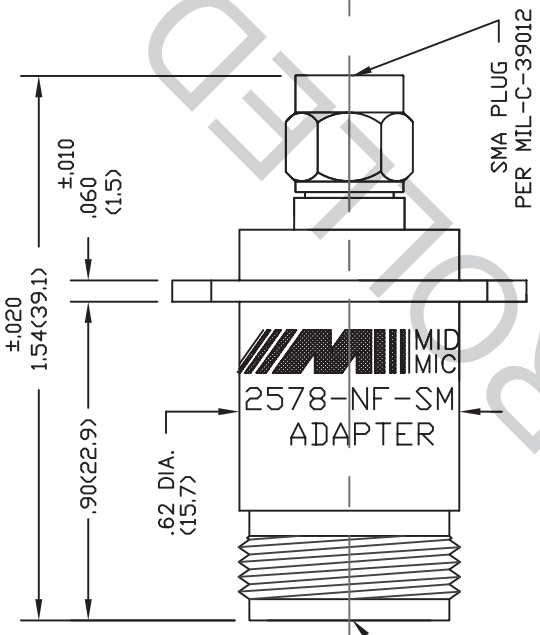
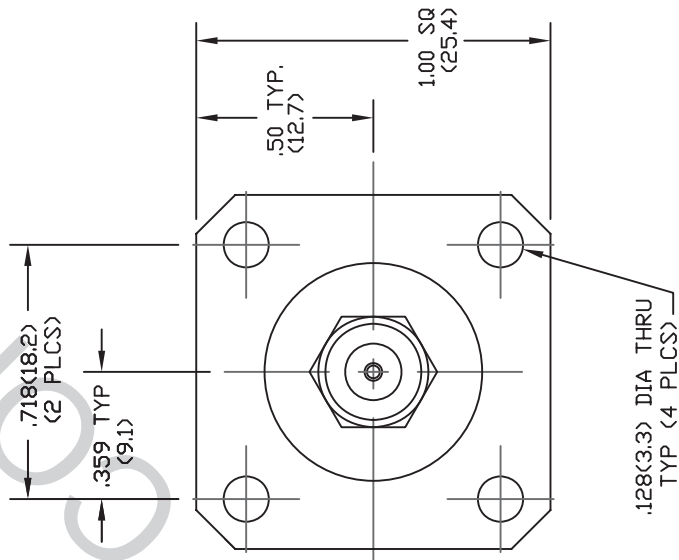


MODEL NUMBER  
ADT-2578-NF-SMM-02



- NOTES:
- 1.0 MATERIALS:
    - 1.1 HOUSINGS AND COUPLING NUT: STAINLESS STEEL PER ASTM-A582, TYPE 303.
    - 1.2 CENTER CONTACTS: BERYLLIUM COPPER ROD ALLOY C172, PER ASTM-B196
    - 1.3 DIELECTRIC: PTFE FLUOROCARBON PER ASTM-D1457.
  - 2.0 PLATING:
    - 2.1 HOUSINGS AND COUPLING NUT: PASSIVATED PER QQ-P-35 AND MIL-F-14072.
    - 2.2 CENTER CONTACTS: GOLD PER MIL-G-45204 TYPE II, CLASS 2
  - 3.0 ELECTRICAL SPECIFICATIONS:
    - 3.1 FREQUENCY RANGE: DC to 18.0 GHz
    - 3.2 IMPEDENCE: 50 OHMS
    - 3.3 VSWR: DC to 4.0 GHz 1.04:1  
4.0 to 8.0 GHz 1.07:1  
8.0 to 18.0 GHz 1.12:1
  - 4.0 DIMENSIONS IN PARENTHESIS ARE MILLIMETERS.

5.0 MARKING: MARK UNIT AS SHOWN.  
(REF: INK-02669-27-03)

DWG NO. WAS: 02393-01-00

REV.	DESCRIPTION	DATE
-	RELEASED	7/1/80
A	EGR 2393	4/21/83
B	EGR 6545	6/29/89
C	ECN 10356	4/19/91
D	ON CAD/UPDATE SPEC/MARK	12/28/92
D1	ADDED TITLE/BLOCK	3/9/05

NOTICE: The information contained in this drawing is proprietary and must not be used without the permission of Cinch Connectivity Solutions.  
UNLESS OTHERWISE NOTED DIMENSIONS ARE IN INCHES AND TOLERANCES ARE:  
3 PLACE DECIMALS ±.005  
2 PLACE DECIMALS ±.02  
FRACTIONS ±1/64  
PARALLELITY: T.I.R.  
FLATNESS: T.I.R.  
CONCENTRICITY: T.I.R.  
ANGLES AND PERPENDICULARITY: ±1°

CARE CODE <b>34078</b>	DATE A. BEATTY 12/28/92	DATE A. OSCA 12/29/92
DRAWING NUMBER ADT-2578-NF-SMM-02-01		REV. D1
SCALE: 5=1		SHEET 1 of 1

CARE CODE  
**34078**

**cinch**  
CONNECTIVITY SOLUTIONS  
a bel group

**MIDWEST MICROWAVE**

TITLE  
TYPE N FEMALE TO  
SMA MALE ADAPTER  
OUTLINE DRAWING