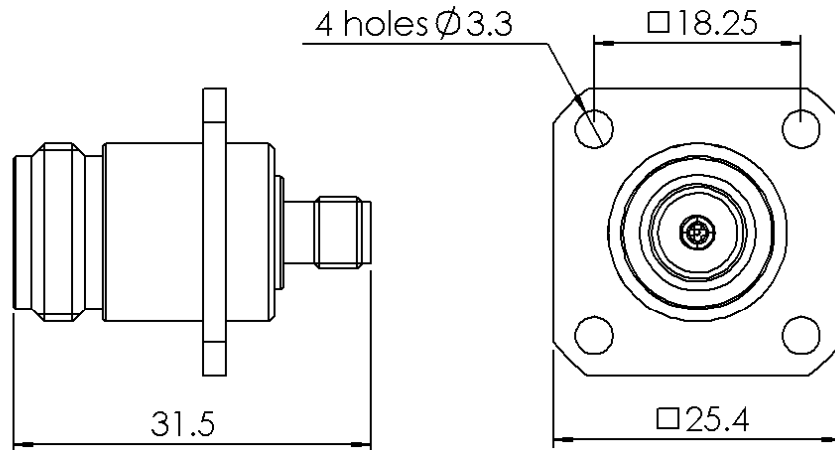


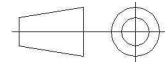
BULKHEAD ADAPTOR N FEMALE - SMA FEMALE
SQUARE FLANGE

R191.381.000

Série : ADAPT



All dimensions are in mm.



| COMPONENTS | MATERIALS | PLATING (µm) |
|-----------------------|------------------------|----------------------------|
| BODY | LAITON | NICKEL 2 |
| CENTER CONTACT | CUPRO BERYLLIUM | OR 0.5 SUR NICKEL 2 |
| OUTER CONTACT | - | - |
| INSULATOR | PTFE | |
| GASKET | - | |
| OTHERS PARTS | CUPRO BERYLLIUM | NICKEL 2 |
| - | - | - |
| - | - | - |

Issue : 0840 D

In the effort to improve our products, we reserve the rights to make changes judged to be necessary.



BULKHEAD ADAPTOR N FEMALE - SMA FEMALE

R191.381.000

SQUARE FLANGE

Série : ADAPT

PACKAGING

SPECIFICATION

| Standard | Unit | Other |
|----------|------------|------------|
| | 'W' option | Contact us |

ELECTRICAL CHARACTERISTICS

ENVIRONMENTAL

| | | |
|---------------------------------|---------------|------------------------------|
| Impedance | | 50 Ω |
| Frequency | | 0-11 GHz |
| VSWR | 1.30 + | 0,0000 x F(GHz) Maxi |
| Insertion loss | | 0.05 √F(GHz) dB Maxi |
| RF leakage | - (| 101 - F(GHz)) dB Maxi |
| Voltage rating | | 500 Veff Maxi |
| Dielectric withstanding voltage | | 1000 Veff mini |
| Insulation resistance | | 5000 MΩ mini |

| | |
|---------------|---------------------|
| Operating | -55/+155 °C |
| Hermetic seal | NA Atm.cm3/s |
| Panel leakage | NA |

MECHANICAL CHARACTERISTICS

OTHER CHARACTERISTICS

| | | |
|----------------------------|------------|------------------------|
| Center contact retention | | |
| Axial force – Mating end | | 27 N mini |
| Axial force – Opposite end | | 27 N mini |
| Torque | | NA N.cm mini |
| Recommended torque | | |
| Mating | N | 0 N.cm |
| | SMA | 0 N.cm |
| | - | 0 N.cm |
| Panel nut | | NA N.cm |
| Mating life | | 500 Cycles mini |
| Weight | | 0,0000 g |

Issue : 0840 D

In the effort to improve our products, we reserve the rights to make changes judged to be necessary.



Mouser Electronics

Authorized Distributor

Click to View Pricing, Inventory, Delivery & Lifecycle Information:

[Radial:](#)

[R191381000](#)