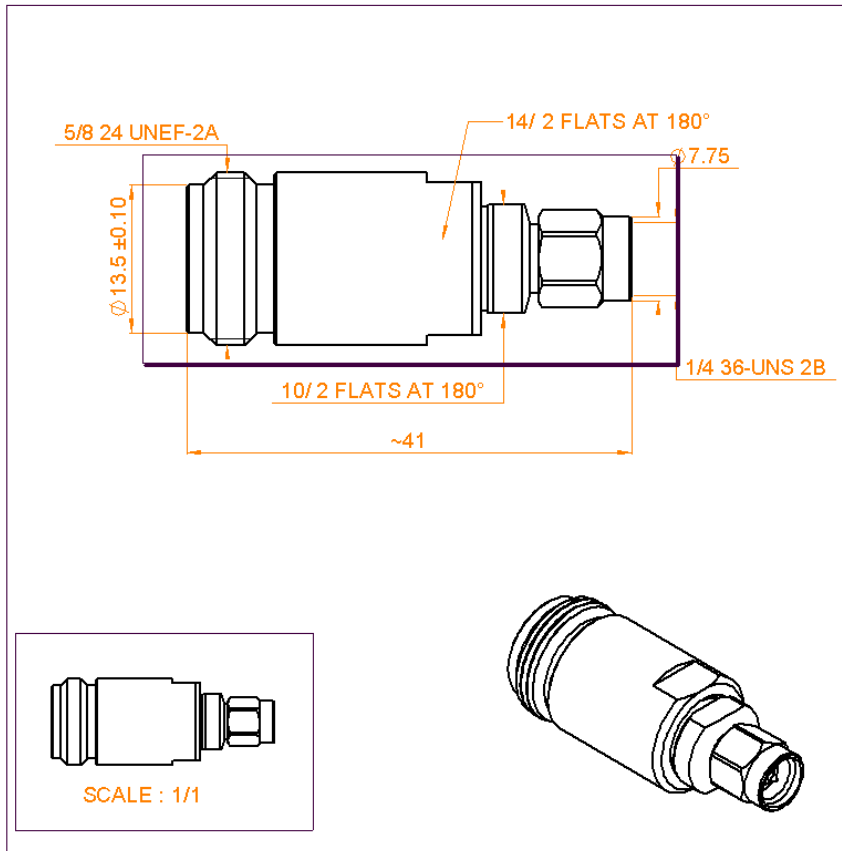


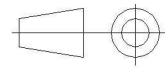
N 18 FEMALE - SMA 3.5 MALE STRAIGHT ADAP

R191.326.000

Série : ADAPT



All dimensions are in mm.



COMPONENTS	MATERIALS	PLATINGS (µm)
BODY	STAINLESS STEEL	PASSIVATED .
CENTER CONTACT	BERYLLIUM COPPER	GOLD 0.5 OVER NICKEL 2
OUTER CONTACT	-	-
INSULATOR	PTFE	-
GASKET	-	-
OTHERS PARTS	BRASS	WHITE - CHROMIUM 0.2 OVER NICKEL 3.5
-	-	-
-	-	-

Issue : 0428 C

In the effort to improve our products, we reserve the rights to make changes judged to be necessary.



N 18 FEMALE - SMA 3.5 MALE STRAIGHT ADAP

R191.326.000

Série : ADAPT

PACKAGING

Standard	Unit	Other
	'W' option	Contact us

SPECIFICATION

MIL A55339

ELECTRICAL CHARACTERISTICS

Impedance		50 Ω
Frequency		0-18 GHz
VSWR	1.03 +	0.005 x F(GHz) Maxi
Insertion loss		0.1 √F(GHz) dB Maxi
RF leakage	- (90 - F(GHz)) dB Maxi
Voltage rating		500 Veff Maxi
Dielectric withstanding voltage		1000 Veff mini
Insulation resistance		5000 MΩ mini

ENVIRONMENTAL

Operating	+13/+33 °C
Hermetic seal	NA Atm.cm3/s
Panel leakage	NA

MECHANICAL CHARACTERISTICS

Center contact retention		
Axial force – Mating end		27 N mini
Axial force – Opposite end		27 N mini
Torque		8 N.cm mini

Recommended torque

Mating	N-P	0 N.cm
	SMA3.	0 N.cm
	-	0 N.cm
Panel nut		NA N.cm

Mating life	500 Cycles mini
Weight	36.348 g

OTHERS CHARACTERISTICS

- For information return loss at 2GHz is more than 40dB

Issue : 0428 C

In the effort to improve our products, we reserve the rights to make changes judged to be necessary.



RADIALL®

Mouser Electronics

Authorized Distributor

Click to View Pricing, Inventory, Delivery & Lifecycle Information:

[Radial:](#)

[R191326000](#)